



AIR CONDITIONING
SYSTEMS

EURUS

Centrifugal fancoils for surface mounting or recessed installation.
Cooling capacity from 0,6 to 7,6 kW and heating capacity from 0,8 to 9 kW.
Air flow from 100 to 1500 m³/h.

Cassette with radial fan.
Cooling capacity from 1,3 to 11 kW and heating capacity from 1,6 to 14 kW.
Air flow from 310 to 1820 m³/h.



*Conditioning your ambient,
maximising your comfort.*



Cooling, conditioning, purifying.



EURUS - Fancoils exposed or concealed version

EURUS is a cutting edge product in terms of design, performance, silent operation, low power consumption and practicality.

EURUS is available for mounting on walls, floors or ceilings, either exposed or recessed, with a highly versatile range that is suitable for every requirement.



BENEFITS

- Very quiet operation;
- Reduced dimensions;
- Different configurations for all types of installations;
- Wide range of accessories;
- Simplest installation, maintenance and with easily accessible internal parts;
- Reduced maintenance requirements;
- Also available in 4-pipe configurations for operation with hot and cold water;
- Extremely low power consumptions.

STANDARD FEATURES

- Rugged steel cabinet; galvanized and pre-painted to ensure durable resistance over time, white color RAL 9003;
- Air filter on all models;
- Centrifugal fan with double air inlet, offering low noise operation with limited power consumptions;
- Single phase electric motor with six speeds (three speeds MIN, MED and MAX connected in the factory);
- Plastic air grid made by ABS with light gray color;
- Exchanger coil with copper tubes and aluminium fins.

VERSIONS

Sizes

- Available in 9 sizes to cover all performance requirements for all needs.

Configurations

- Version with casing (model M) for ceiling, wall, or floor-mounting installation;
- Version with compact casing (model C) with front air intake grid and without feet, for ceiling, wall or floor-mounting installation;
- Recessed version (model E) for vertical or horizontal installation.

Coil modes

- With single 3-row coil;
- With single 4-row coil;
- With additional coils with 1 row (for 4 pipes and 3 or 4 coil rows) or 2 rows (for 4 pipes and 3 coil rows).

CONTROL

- Wide selection of controllers, all featuring speed and temperature control, available with or without digital display, for installation on the unit or for separate wall-mounting, and with numerous control facilities depending on the requirements and the options installed on the unit;
- Wireless remote control for complete installation flexibility, with a wireless temperature sensor;
- Infrared microprocessor to control multiple units connected in series;
- Device for control via PC.

MAIN OPTIONS

- Additional coils (with 1 or 2 rows) for 4-pipes installations;
- On/off control valves with 2 or 3 ways;
- Condensate collection tray;
- Feet floor mounting for version M;
- Rear covering panel (for installation against glazed walls);
- Base covering panel;
- Front intake grille for version M;
- Condensate drain hose with quick coupling for version C-E;
- Fancoil version (line EURUS-I) equipped with brushless and sensorless synchronous electronic motor managed by an inverter board.



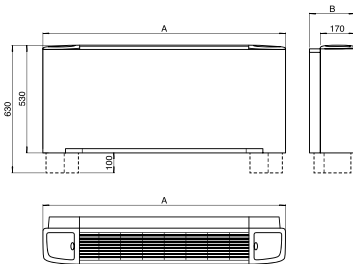
Fancoil models 2 pipes and 3 rows coil			130	230	330	430	530	630	730	830	930
Air flow	max	m ³ /h	220	295	385	485	650	760	925	1200	1500
	med.	m ³ /h	175	220	270	335	495	590	735	1020	1210
	min.	m ³ /h	105	145	235	265	315	415	535	655	830
Total cooling capacity	max	W	1030	1560	2390	2870	3640	4090	5110	5820	6740
	med.	W	860	1250	1780	2140	2940	3370	4290	5190	5870
	min.	W	590	910	1570	1730	2030	2540	3340	3740	4470
Sensible cooling capacity	max	W	860	1240	1800	2190	2820	3200	3950	4680	5550
	med.	W	710	970	1320	1600	2230	2590	3270	4120	4730
	min.	W	470	690	1115	1280	1510	1910	2500	2880	3490
(Cooling mode) Pressure drop	max	kPa	2,3	6,5	19,7	27,2	16,2	19,8	34,2	19	24,6
	med.	kPa	1,7	4,4	11,8	16,2	11,1	14,1	25,1	15,5	19,3
	min.	kPa	0,9	2,5	9,4	11,2	5,8	8,6	16,2	8,7	11,9
Heating capacity	max	W	1390	2020	2920	3560	4500	5090	6270	7660	9060
	med.	W	1150	1590	2150	2610	3590	4130	5190	6740	7720
	min.	W	760	1120	1870	2090	2420	3070	4010	4800	5710
(Heating mode) Pressure drop	max	kPa	2	5,5	16,7	23,1	13,8	16,8	29,1	16,2	20,9
	med.	kPa	1,4	3,7	10	13,8	9,4	12	21,3	13,2	16,4
	min.	kPa	0,8	2,1	8	9,5	4,9	7,3	13,8	7,4	10,1
Sound power level	max	dB(A)	45	47	49	47	48	52	56	60	64
	med.	dB(A)	39	40	40	39	41	46	51	56	58
	min.	dB(A)	32	30	36	33	31	37	42	45	50
Sound pressure level (*)	max	dB(A)	36	37	40	38	39	43	47	51	55
	med.	dB(A)	30	31	31	30	32	37	42	47	49
	min.	dB(A)	23	21	27	24	22	28	33	36	41
Dimensions	A	mm	675	775	990	990	1205	1205	1420	1420	1420
	B	mm	225	225	225	225	225	225	225	255	255
	D	mm	374	474	689	689	904	904	1119	1119	1119
	E	mm	330	430	645	645	860	860	1075	1075	1075
	F	mm	354	454	669	669	884	884	1099	1099	1099
Weight (**)	mod. M/C	kg	13	14	18	19	21	22	26	35	36
	mod. E	kg	9	13	18	19	21	22	25	33	33

Total cooling capacity at the following conditions: water inlet-outlet temperature 7-12 °C. Air temperature 19 °C (wb) / 27 °C (db).

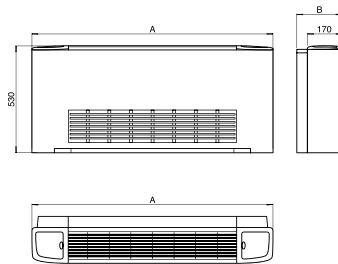
Heating capacity at the following conditions: water inlet temperature 50 °C. Air temperature 20 °C.

(*): sound pressure levels are 9 dB(A) lower than sound power level for a 100 m³ room with a reverberation time of 0,5 sec.

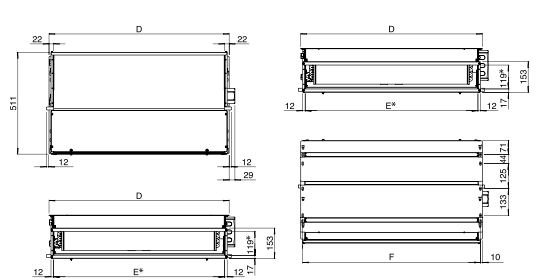
():** for models with 3-row coils.



"M" version



"C" version



Vertical

"E" version

Horizontal

Controller installed on the unit and accessible via a flap (optional).

Digital controller allowing remote mounting on a wall (optional).

Management and control with microprocessor and infrared controller (optional).





EURUS - CA Cassette fans

EURUS - CA - is a cutting edge product in terms of design, performance, silent operation, low power consumption and practicality.

The 4 smaller sizes are designed to fit into 600 x 600 mm false ceiling standard modules. The 3 bigger sizes have a dimension of 800 x 800 mm which allows the best outcome in terms of quietness and of price/performance ratio for these high capacity models.



BENEFITS

- Possibility to mix external air with air temperature;
- Very quiet operation;
- Wide range of accessories;
- Simplest installation and maintenance;
- Extremely low power consumptions;
- Innovative and prestigious design.

STANDARD FEATURES

- Rugged steel cabinet, with insulating cells closed from 10 mm, to ensure durable resistance over time;
- Air filter on all models;
- Condensate pump;
- Radial type fan;
- Generous choice of 6 alternative fan speeds (three speeds MIN, MED and MAX connected in the factory);
- Intake grid and adjustable air distribution made by ABS white RAL 9003;
- Exchanger coil with copper tubes and aluminium fins.

VERSIONS

- 7 models with one heat exchanger (2 pipe units), 11 models with two heat exchangers (4 pipe units), either with control panel or remote infra-red control.

CONTROL

- Wide selection of remote controllers, all featuring speed and temperature control, available with or without digital display, for wall-mounting installation;
- Wireless remote control for complete installation flexibility, with a wireless temperature sensor;
- Infrared microprocessor to control multiple units connected in series;
- Device for control via PC.

MAIN OPTIONS

- Additional coils for 4-pipes installations;
- On/off control valves with 2 or 3 ways;
- Fresh air connection;
- Unit with remote control board;
- Electric low energy motor consumption controlled by an inverter board (line EURUS-CA-I).

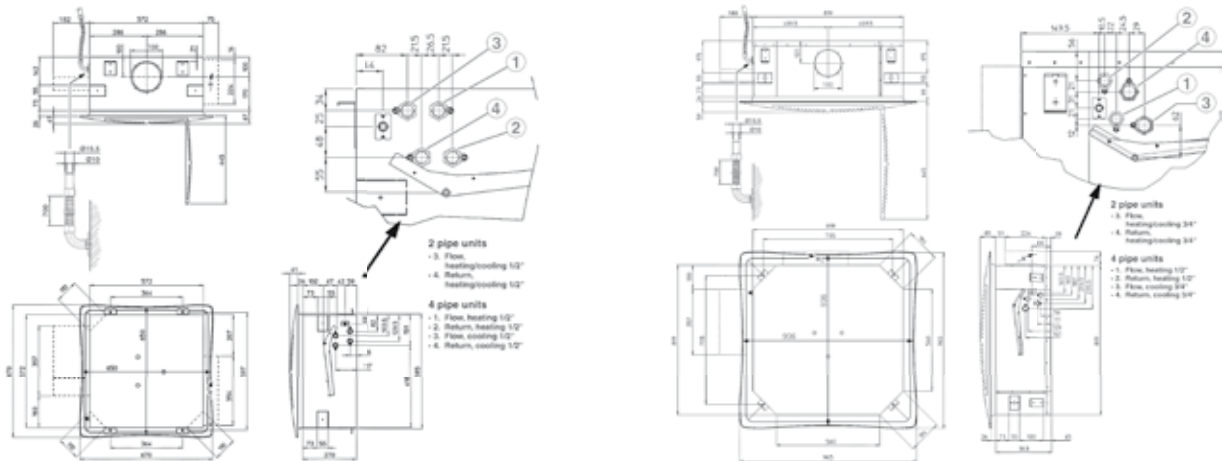


2 Pipes Cassette Models			EU-CA02	EU-CA12	EU-CA22	EU-CA32	EU-CA42	EU-CA52	EU-CA62
Air flow	max	m³/h	610	520	710	880	1140	1500	1820
	med.	m³/h	420	420	500	610	820	970	1280
	min.	m³/h	310	310	320	430	630	710	710
Total cooling capacity	max	W	1980	2680	4330	5020	6160	9510	11100
	med.	W	1630	2340	3340	3880	4910	6780	8450
	min.	W	1270	1840	2250	2940	4210	5310	5310
Sensible cooling capacity	max	W	1640	2040	3180	3740	4590	6480	8250
	med.	W	1320	1750	2390	2810	3580	4480	6090
	min.	W	1010	1350	1570	2080	3030	3460	3710
(Cooling mode) Pressure drop	max	kPa	10,0	9,7	15,1	19,7	21,6	26,9	35,6
	med.	kPa	7,0	7,6	9,4	12,4	14,3	14,7	21,8
	min.	kPa	4,5	4,9	4,6	7,5	10,9	9,4	9,4
Heating capacity	max	W	2640	3350	5230	6170	7770	10710	14000
	med.	W	2120	2900	3930	4630	6030	7340	10300
	min.	W	1620	2220	2560	3430	5120	5610	6130
(Heating mode) Pressure drop	max	kPa	9,0	8,2	11,4	17,7	15,1	23	30,6
	med.	kPa	6,0	6,3	7,3	11,2	9,9	12,4	18,6
	min.	kPa	4,0	4,1	3,5	6,7	6,7	7,9	7,9
Sound power level	max	dB(A)	49	45	53	59	48	53	58
	med.	dB(A)	40	40	45	49	40	40	48
	min.	dB(A)	33	33	33	41	33	34	34
Sound pressure level (*)	max	dB(A)	40	36	44	50	39	44	49
	med.	dB(A)	31	31	36	40	31	31	39
	min.	dB(A)	24	24	24	32	24	25	25
Dimensions	A	mm	575	575	575	575	820	820	820
	B	mm	575	575	575	575	820	820	820
	H	mm	275	275	275	275	303	303	303

Total cooling capacity at the following conditions: water inlet-outlet temperature 7-12 °C. Air temperature 19 °C (wb) / 27 °C (db).

Heating capacity at the following conditions: water inlet temperature 50 °C. Air temperature 20 °C.

(*): sound pressure levels are 9 dB(A) lower than sound power level for a 100 m³ room with a reverberation time of 0,5 sec.



Electronic control (optional).

Digital controller allowing remote mounting on a wall (optional).

Management and control with microprocessor and infrared controller (optional).





www.mta-it.com



M.T.A. S.p.A.

Viale Spagna, 8 ZI
35020 Tribano (PD) Italy

Tel. +39 049 9588611
Fax +39 049 9588676

info@mta-it.com
www.mta-it.com

Milan branch office

Tel. +39 02 95738492

MTA France S.A.

Tel: +33 04 7249 8989
www.mtafrance.fr

MTA Deutschland GmbH

Tel: +49 (2157) 12402 - 0
www.mta.de

Novair-MTA, S.A. (España)

Tel: +34 938 281 790
www.novair-mta.com

SC MTA ROMÂNIA Srl

Tel: +40 723 022023
www.mta-it.ro

MTA USA, LLC

Tel: +1 716 693 8651
www.mta-usa.com

MTA Australasia Pty Ltd

Tel: +61 1300 304 177
www.mta-au.com



MTA is ISO9001 certified,
a sign of its commitment
to complete customer
satisfaction.



MTA products comply with
European safety directives,
as recognised by the CE
symbol.



Cooling, conditioning, purifying.