

PARTS CATALOG

Series PKFY Wall Mounted R410A

Indoor unit

[Model Name]

PKFY-P15VBM-E

[Service Ref.]

PKFY-P15VBM-E
 PKFY-P15VBM-ER2
 PKFY-P15VBM-ER3
 PKFY-P15VBM-ER4
 PKFY-P15VBM-ER5
 PKFY-P20VBM-E
 PKFY-P20VBM-ER1
 PKFY-P20VBM-ER2
 PKFY-P20VBM-ER3
 PKFY-P20VBM-ER4
 PKFY-P20VBM-ER5
 PKFY-P25VBM-E
 PKFY-P25VBM-ER1
 PKFY-P25VBM-ER2
 PKFY-P25VBM-ER3
 PKFY-P25VBM-ER4
 PKFY-P25VBM-ER5

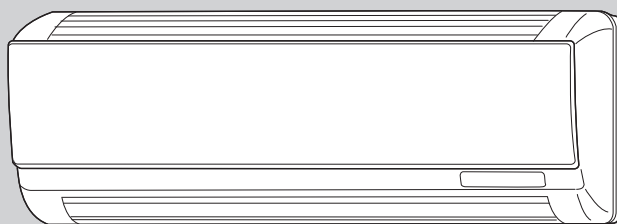
PKFY-P20VBM-E

PKFY-P25VBM-E

Revision:

- Some descriptions have been modified in REVISED EDITION-F.

OCB418 REVISED EDITION-E is void.



INDOOR UNIT

Model name
indication

CONTENTS

1. SERVICE PARTS LIST 2
2. OPTIONAL PARTS 6

SERVICE MANUAL (OCH418)

PANEL AND HEAT EXCHANGER PARTS

PKFY-P15VBM-E

PKFY-P20VBM-E

PKFY-P25VBM-E

PKFY-P15VBM-ER2

PKFY-P20VBM-ER1

PKFY-P25VBM-ER1

PKFY-P15VBM-ER3

PKFY-P20VBM-ER2

PKFY-P25VBM-ER2

PKFY-P15VBM-ER4

PKFY-P20VBM-ER3

PKFY-P25VBM-ER3

PKFY-P15VBM-ER5

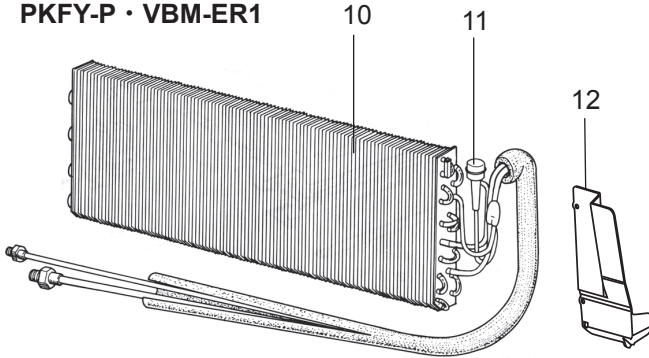
PKFY-P20VBM-ER4

PKFY-P25VBM-ER4

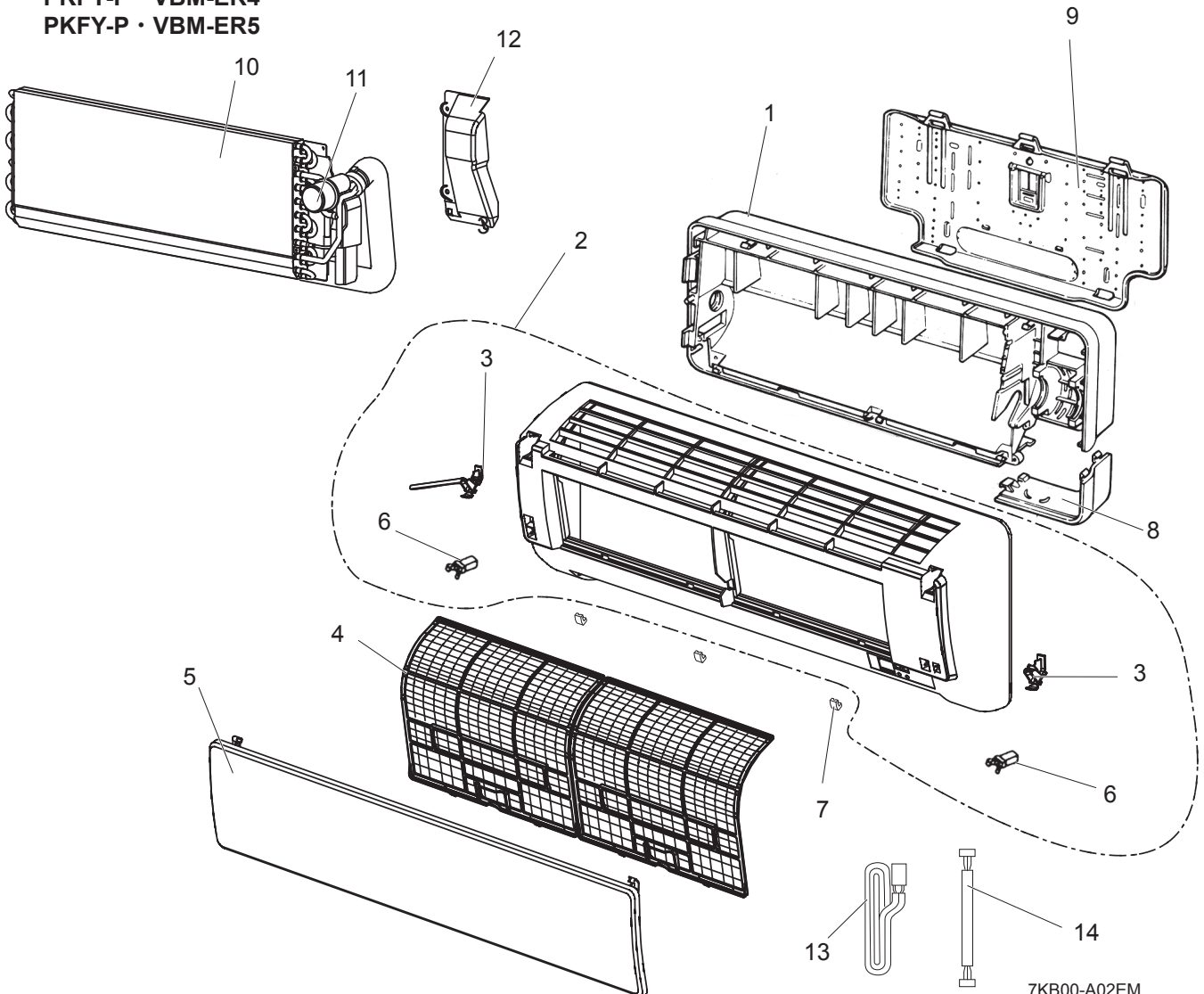
PKFY-P20VBM-ER5

PKFY-P25VBM-ER5

For PKFY-P · VBM-E
PKFY-P · VBM-ER1



For PKFY-P · VBM-ER2
PKFY-P · VBM-ER3
PKFY-P · VBM-ER4
PKFY-P · VBM-ER5



7KB00-A02EM

PANEL AND HEAT EXCHANGER PARTS

No.	Part No.	Part Name	Specification	Q'ty/unit						Remarks (Drawing No.)	Wiring Diagram Symbol
				PKFY-P15VBM PKFY-P20VBM PKFY-P25VBM							
				-E	-ER1*	-ER2	-ER3	-ER4	-ER5		
1	R01 H01 635	BOX ASSY		1	1	1	1	1	1		
2	T7W E11 651	FRONT PANEL		1	1	1	1	1	1		
3	R01 E14 054	HOLDER (R,L)		1	1	1	1	1	1	SET (LEFT, RIGHT)	
4	R01 E34 500	FILTER		2	2	2	2	2	2		
5	R01 E53 691	GRILLE		1	1	1	1	1	1		
6	R01 E00 054	CATCH		2	2	2	2	2	2		
7	R01 E08 096	SCREW CAP		1	1	1	1	1	1	3 PCS/SET	
8	R01 24A 658	CORNER BOX		1	1	1	1	1	1		
9	R01 23A 808	BACK PLATE		1	1	1	1	1	1		
10	R01 Y05 480	HEAT EXCHANGER		1	1					includes connect pipe	
	R01 R09 480	HEAT EXCHANGER				1	1	1	1	includes connect pipe	
11	R01 L04 401	LEV-4/EFM (BN)		1	1	1	1	1	1		LEV
12	—	WATER CUT		1	1					(BG25J289H07)	
	R01 E00 525	WATER CUT				1	1	1	1		
13	R01 E06 305	REMOCON CABLE 5M		1	1	1	1	1	1	5 m	
14	R01 E15 304	LEAD WIRE WB		1	1	1	1	1	1		

* P20 and P25 models only.

ELECTRICAL PARTS

PKFY-P15VBM-E

PKFY-P15VBM-ER2

PKFY-P15VBM-ER3

PKFY-P15VBM-ER4

PKFY-P15VBM-ER5

PKFY-P20VBM-E

PKFY-P20VBM-ER1

PKFY-P20VBM-ER2

PKFY-P20VBM-ER3

PKFY-P20VBM-ER4

PKFY-P20VBM-ER5

PKFY-P25VBM-E

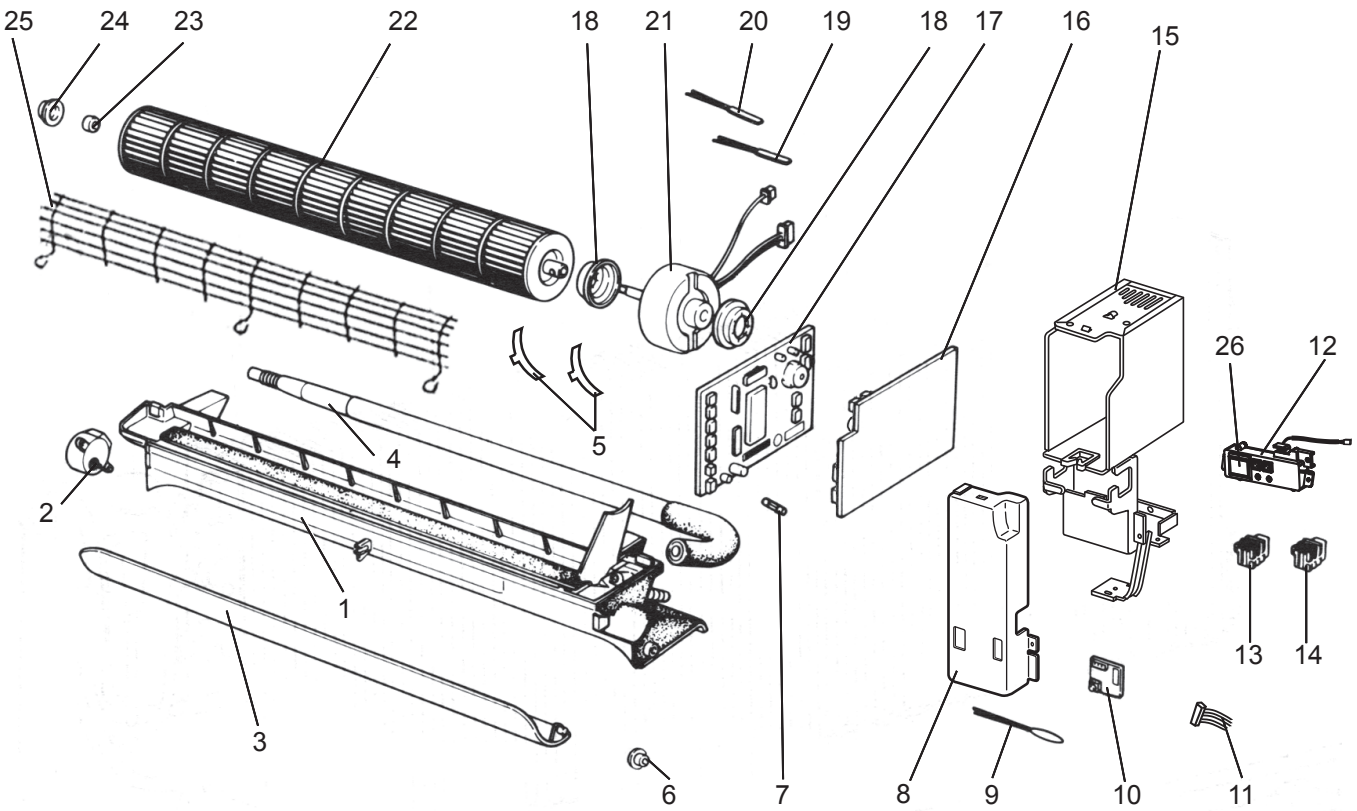
PKFY-P25VBM-ER1

PKFY-P25VBM-ER2

PKFY-P25VBM-ER3

PKFY-P25VBM-ER4

PKFY-P25VBM-ER5



7KB00-E03EM

ELECTRICAL PARTS

No.	Part No.	Part Name	Specification	Q'ty/unit						Remarks (Drawing No.)	Wiring Diagram Symbol
				PKFY-P15VBM PKFY-P20VBM PKFY-P25VBM							
				-E	-ER1 *	-ER2	-ER3	-ER4	-ER5		
1	R01 23A 530	NOZZLE ASSY		1	1	1	1	1	1		
2	R01 H23 223	VANE MOTOR		1	1	1	1	1	1	includes lead wire	MV
3	R01 E26 002	VANE		1	1	1	1	1	1		
4	R01 H3A 527	DRAIN HOSE		1	1	1	1	1	1		
5	R01 23A 126	MOTOR BAND		1	1	1	1	1	1	SET (LEFT, RIGHT)	
6	R01 08Y 092	VANE SLEEVE		1	1	1	1	1	1		
7	R01 E14 239	FUSE 6.3A 250V	6.3A 250V	1	1	1	1	1	1		FUSE
8	—	ELECTRICAL BOX COVER		1	1	1	1	1	1	(BG00G828G24)	
9	R01 HR2 202	THERMISTOR (ROOM)		1	1	1	1	1	1		TH21
10	T7W E01 294	ADDRESS BOARD		1	1	1	1	1	1		A.B
11	T7W E04 304	ADDRESS CABLE		1	1	1	1	1	1		
12	R01 E00 323	WIRELESS ADAPTER		1	1	1	1	1	1	includes case	W.B
13	T7W E34 716	T.B./L.N.E	3P (L, N, ⊕)	1	1	1	1	1	1		TB2
14	T7W E33 716	T.B./1.2	2P (M1, M2)	1	1	1	1	1	1		TB5
15	—	ELECTRICAL BOX		1	1	1	1	1	1	(BG00J285G52)	
16	T7W E28 313	POWER BOARD		1	1	1	1	1	1		P.B
17	R01 N81 310	CONTROLLER BOARD		1	1	1					I.B
	T7W C11 310	CONTROLLER BOARD					1	1			I.B
	T7W M04 310	CONTROLLER BOARD							1		I.B
18	R01 23A 105	RUBBER MOUNT		2	2	2	2	2	2		
19	R01 H14 202	THERMISTOR	GAS	1	1	1	1	1	1		TH23
20	R01 H05 202	THERMISTOR	LIQUID	1	1	1	1	1	1		TH22
21	T7W E36 762	FAN MOTOR		1	1	1	1	1	1		MF
22	R01 23A 114	LINEFLOW FAN		1	1	1	1	1	1		
23	R01 E04 103	SLEEVE BEARING		1	1	1	1	1	1		
24	R01 H3A 102	BEARING MOUNT		1	1	1	1	1	1		
25	T7W 23A 675	FAN GUARD		1	1	1	1	1	1		
26	R01 E07 317	WIRELESS ADAPTER		1	1	1	1	1	1		W.B

* P20 and P25 models only.

2 OPTIONAL PARTS

2-1. EXTERNAL LEV BOX

Part No.	PAC-SG95LE-E
----------	--------------

2-2. WIRELESS REMOTE CONTROLLER

Part No.	PAR-FL32MA
----------	------------

2-3. WIRED REMOTE CONTROLLER (MA REMOTE CONTROLLER)

Part No.	PAR-21MAA PAR-30MAA PAR-31MAA PAR-32MAA
----------	--

2-4. WIRED REMOTE CONTROLLER (ME REMOTE CONTROLLER)

Part No.	PAR-F27MEA
----------	------------

2-5. WIRED REMOTE CONTROLLER (SIMPLE MA REMOTE CONTROLLER)

Part No.	PAC-YT52CRA
----------	-------------

2-6. WIRED REMOTE CONTROLLER (SMART ME CONTROLLER)

Part No.	PAR-U02MEDA
----------	-------------

2-7. REMOTE ON/OFF ADAPTOR

Part No.	PAC-SE55RA-E
----------	--------------

2-8. REMOTE SENSOR

Part No.	PAC-SE41TS-E
----------	--------------

MITSUBISHI ELECTRIC CORPORATION

HEAD OFFICE: TOKYO BUILDING, 2-7-3, MARUNOUCHI, CHIYODA-KU, TOKYO 100-8310, JAPAN

©Copyright 2007 MITSUBISHI ELECTRIC CORPORATION
Issued: Mar. 2019 No. OCB418 REVISED EDITION-F
Issued: Mar. 2017 No. OCB418 REVISED EDITION-E
Issued: Jul. 2016 No. OCB418 REVISED EDITION-D
Issued: Dec. 2012 No. OCB418 REVISED EDITION-C
Issued: Nov. 2011 No. OCB418 REVISED EDITION-B
Issued: Nov. 2008 No. OCB418 REVISED EDITION-A PDF 7
Published: May 2007 No. OCB418 PDF 9
Made in Japan

Specifications are subject to change without notice.